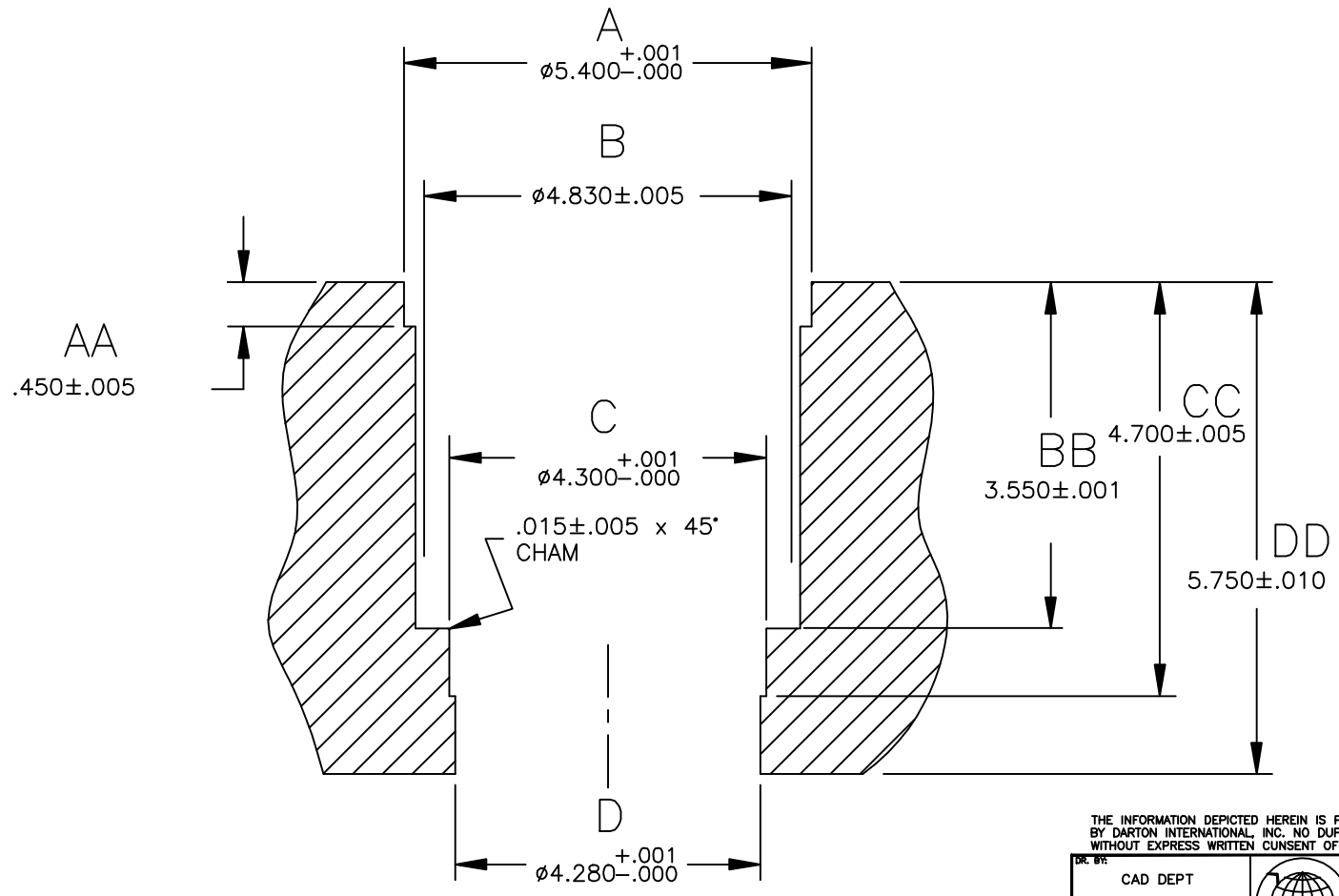



| REV | DESCRIPTION | DATE | APPROVAL |
|-----|-------------|------|----------|
|     |             |      |          |



THE INFORMATION DEPICTED HEREIN IS PROPRIETARY DESIGN INFORMATION WHICH IS COPYRIGHTED BY DARTON INTERNATIONAL, INC. NO DUPLICATION OR USE OF THIS INFORMATION IS PERMITTED WITHOUT EXPRESS WRITTEN CONSENT OF DARTON INTERNATIONAL, INC.

|           |          |   |              |     |
|-----------|----------|---|--------------|-----|
| DR. BY:   | CAD DEPT |  <b>Darton International, Inc.</b><br><b>Carlsbad, CA USA</b><br>(800) 713-2786 (760) 603-9895<br>FAX (760) 603-9629<br>WWW.DARTON-INTERNATIONAL.COM |              |     |
| DATE:     | 03/05/05 |   |              |     |
| CHK'D BY: |          | TITLE   |              |     |
| MATERIAL: |          | <b>BLOCK SPECIFICATION</b><br><b>PORSCHE M.I.D. 2.5L 101.6-104mm</b>  |              |     |
| HARDNESS: |          | SIZE  | DWG NO.      | REV |
|           |          | A   | 800-420      | -   |
|           |          | SCALE   | SHEET 1 OF 1 |     |
|           |          | 1/2   |              |     |