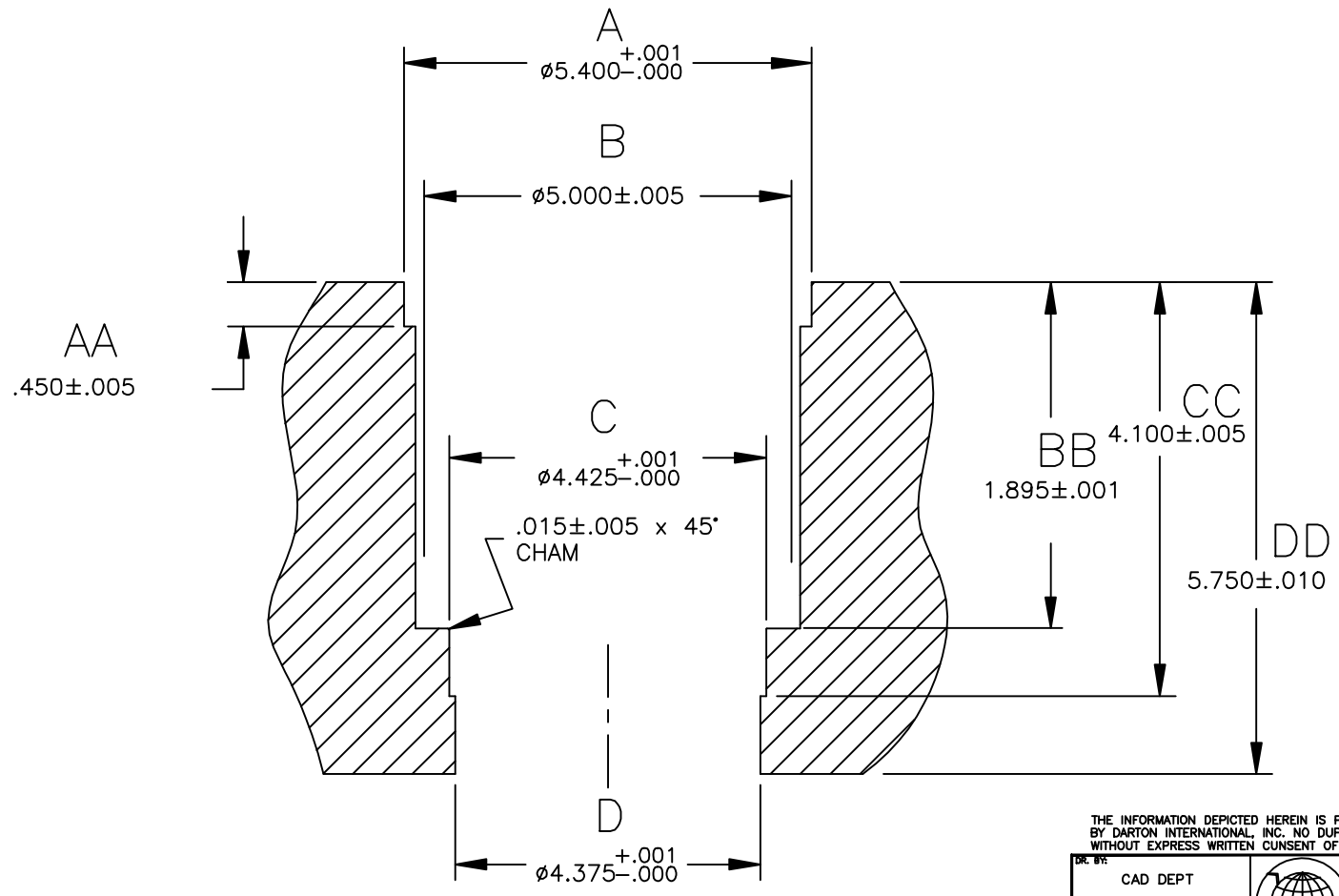



REV	DESCRIPTION	DATE	APPROVAL



THE INFORMATION DEPICTED HEREIN IS PROPRIETARY DESIGN INFORMATION WHICH IS COPYRIGHTED BY DARTON INTERNATIONAL, INC. NO DUPLICATION OR USE OF THIS INFORMATION IS PERMITTED WITHOUT EXPRESS WRITTEN CONSENT OF DARTON INTERNATIONAL, INC.

DR. BY:	CAD DEPT	 <b>Darton International, Inc.</b> Carlsbad, CA USA (800) 713-2786 (760) 603-9895 FAX (760) 603-9629 WWW.DARTON-INTERNATIONAL.COM			
DATE:	03/04/05				
CHK'D BY:		TITLE			
MATERIAL:		BLOCK SPECIFICATION			
HARDNESS:		PORSCHE M.I.D. 3.0L 101.6-106mm			
SIZE	A	DWG NO.	800-400	REV	-
SCALE	1/2	SHEET 1 OF 1			