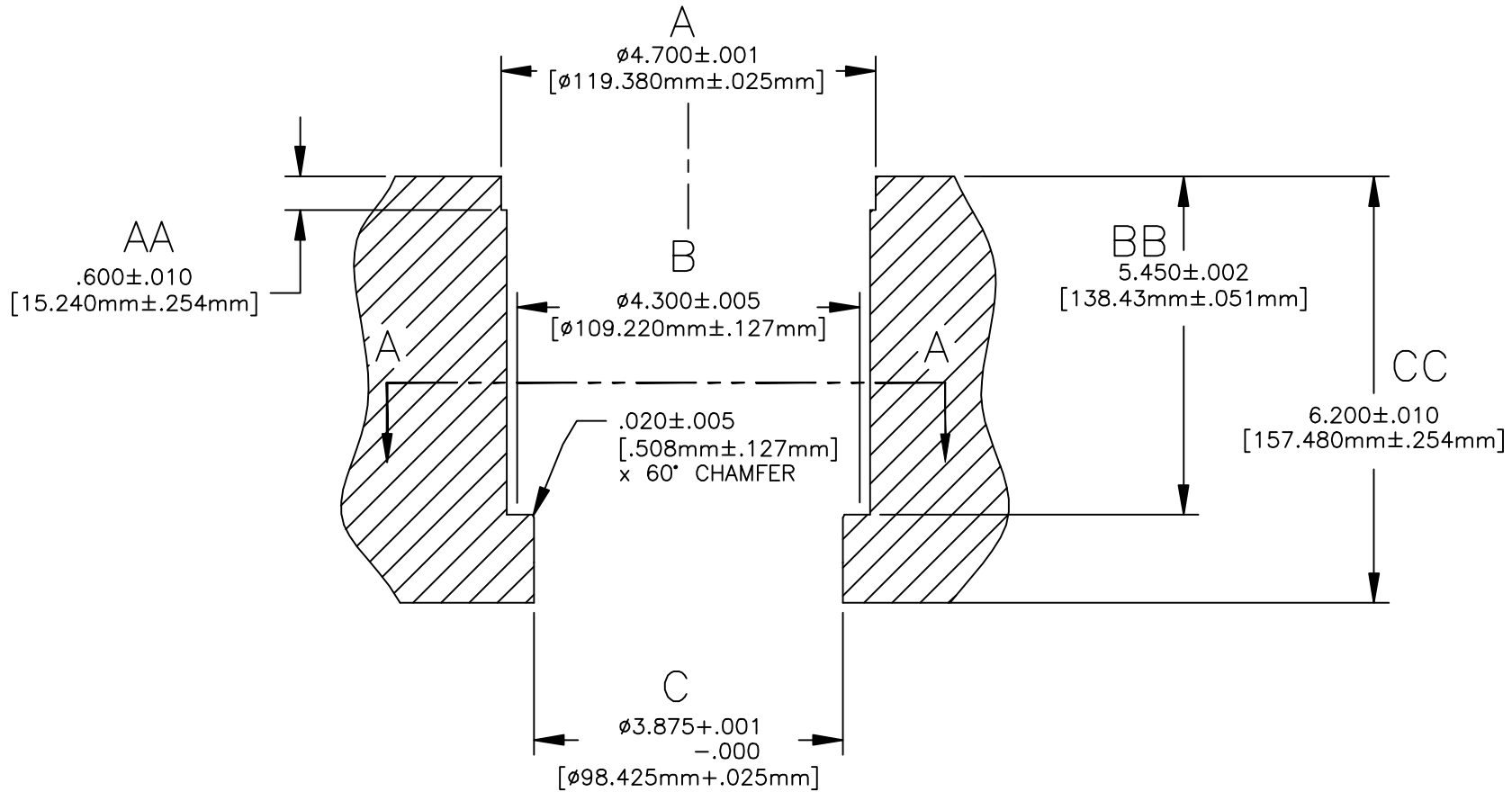


NOTE:


1. PRIOR TO BORING FOR SLEEVE INSTALLATION, BORE EXISTING SLEEVE TO FINISH BORE DIMENSION $\pm .010$ STOPPING AT MAIN BEARING WEB.
2. ONLY USE HEAD GASKETS SPECIFICALLY MADE TO WORK WITH THE M.I.D. KIT

REVISIONS

REV	DESCRIPTION	DATE	APPROVAL



THE INFORMATION DEPICTED HEREIN IS PROPRIETARY DESIGN INFORMATION WHICH IS COPYRIGHTED BY DARTON INTERNATIONAL, INC. NO DUPLICATION OR USE OF THIS INFORMATION IS PERMITTED WITHOUT EXPRESS WRITTEN CONSENT OF DARTON INTERNATIONAL, INC.

DR. BY:	CAD DEPT	 Darton International, Inc. Carlsbad, CA USA (800) 713-2786 (760) 603-9895 FAX (760) 603-9629 WWW.DARTON-INTERNATIONAL.COM		
DATE:	03/17/05			
CHK'D BY:		TITLE		
MATERIAL:		BLOCK SPECIFICATION- FORD 5.4 CAST V-8 M.I.D.		
HARDNESS:		SIZE	DWG NO.	REV
		A	700-120	-
		SCALE	SHEET	
		1/2	1 OF 1	