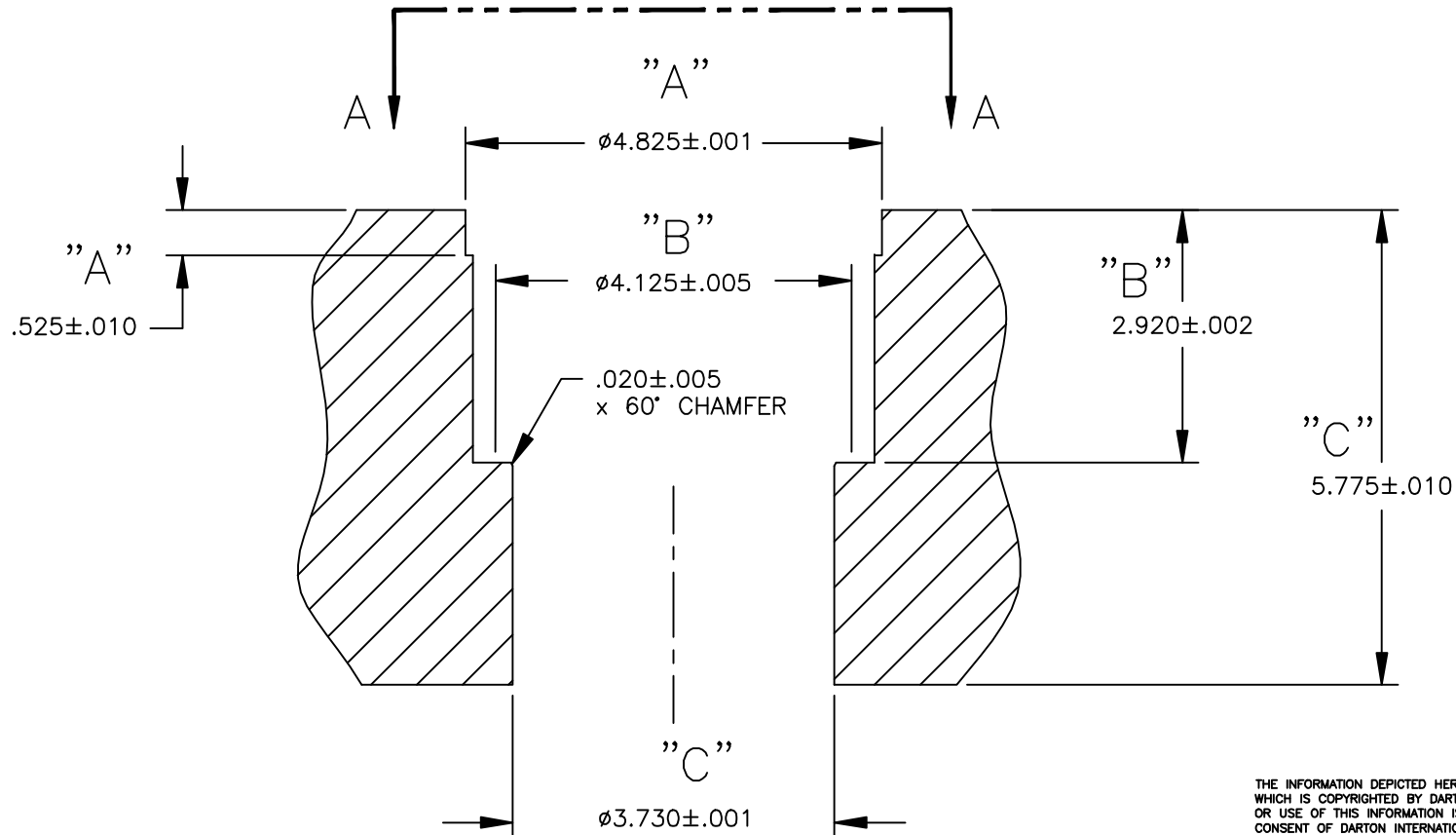



NOTE:

1. PRIOR TO BORING FOR SLEEVE INSTALLATION, BORE EXISTING SLEEVE TO FINISH BORE DIMENSION ± 0.010 STOPPING AT MAIN BEARING WEB.
2. BORE CENTER - 96MM
3. DECK SURFACE AFTER SLEEVE INSTALLATION TO GASKET Ra SPEC.

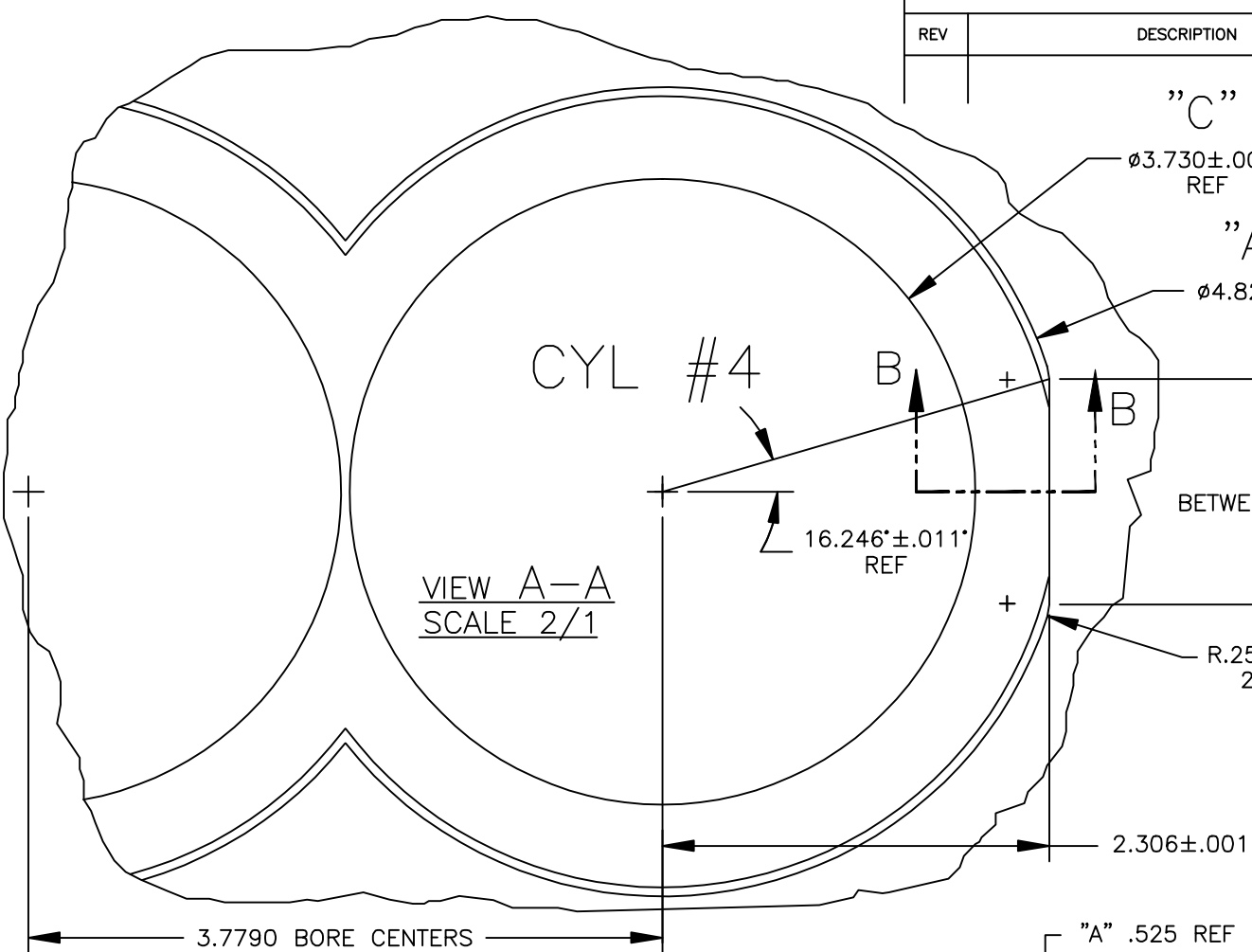
REVISIONS			
REV	DESCRIPTION	DATE	APPROVAL



THE INFORMATION DEPICTED HEREIN IS PROPRIETARY DESIGN INFORMATION WHICH IS COPYRIGHTED BY DARTON INTERNATIONAL, INC. NO DUPLICATION OR USE OF THIS INFORMATION IS PERMITTED WITHOUT EXPRESS WRITTEN CONSENT OF DARTON INTERNATIONAL, INC.

DR. BY: H. CRUZ	 Darton International, Inc. Carlsbad, CA USA (800) 713-2786 (760) 603-9895 FAX (760) 603-9629 WWW.DARTON-INTERNATIONAL.COM
DATE: 10/14/15	
CHK'D BY:	TITLE: BLOCK SPECIFICATION - FORD 2.3 DURATEC TALL CYLS #1,2,&3
MATERIAL:	SIZE: A DWG NO.: 700-100-L REV: -
HANDNESS:	SCALE: 1/2 SHEET 1 OF 2

REVISIONS			
REV	DESCRIPTION	DATE	APPROVAL
	"C"		
	"A"		



VIEW A-A
SCALE 2/1

CYL #4

16.246 ± .011 REF

∅3.730 ± .001 REF

"A"

∅4.825 ± .001 REF

1.3435 ± .001 BETWEEN TANGENT POINTS

R.250 ± .005 2 PLCS

2.306 ± .001

3.7790 BORE CENTERS

2.306 REF TO BORE CENTER

"B" ∅4.125 REF

"C" ∅3.730 REF

"A" .525 REF

"B" 2.920 REF
"C" 5.500 REF

SECTION B-B
NO SCALE

THE INFORMATION DEPICTED HEREIN IS PROPRIETARY DESIGN INFORMATION WHICH IS COPYRIGHTED BY DARTON INTERNATIONAL, INC. NO DUPLICATION OR USE OF THIS INFORMATION IS PERMITTED WITHOUT EXPRESS WRITTEN CONSENT OF DARTON INTERNATIONAL, INC.



Darton International, Inc.
Carlsbad, CA USA
(800) 713-2786 (760) 603-9895
FAX (760) 603-9629
WWW.DARTON-INTERNATIONAL.COM

TITLE BLOCK SPECIFICATION
FORD 2.3 DURATEC TALL CYL #4

SIZE A	DWG NO. 700-100-L	REV -
SCALE 1/2	SHEET 2 OF 2	