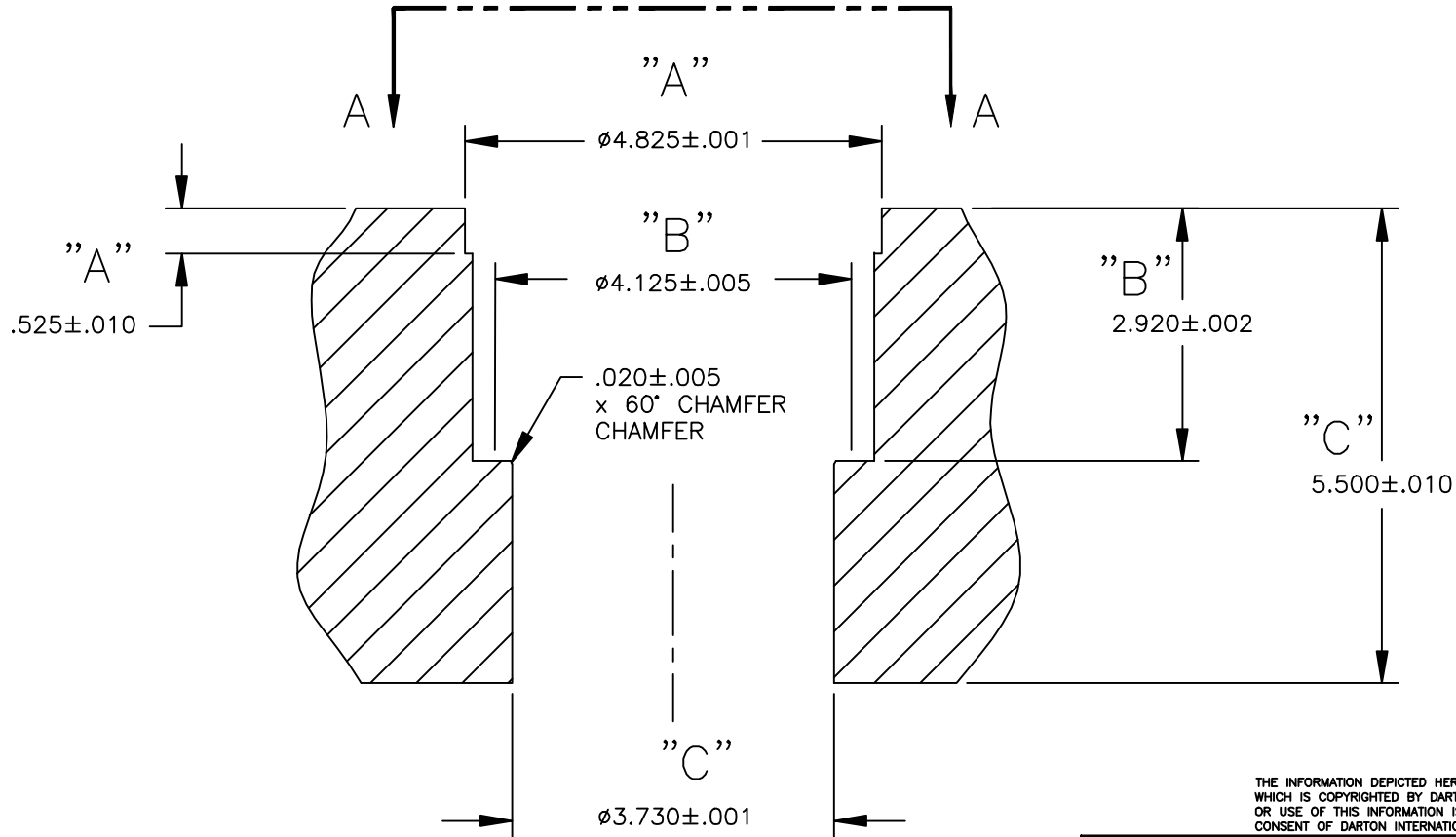


NOTE:


1. PRIOR TO BORING FOR SLEEVE INSTALLATION, BORE EXISTING SLEEVE TO FINISH BORE DIMENSION ± 0.010 STOPPING AT MAIN BEARING WEB.
2. BORE CENTER - 96MM
3. DECK SURFACE AFTER SLEEVE INSTALLATION TO GASKET Ra SPEC.

REVISIONS

REV	DESCRIPTION	DATE	APPROVAL



THE INFORMATION DEPICTED HEREIN IS PROPRIETARY DESIGN INFORMATION WHICH IS COPYRIGHTED BY DARTON INTERNATIONAL, INC. NO DUPLICATION OR USE OF THIS INFORMATION IS PERMITTED WITHOUT EXPRESS WRITTEN CONSENT OF DARTON INTERNATIONAL, INC.

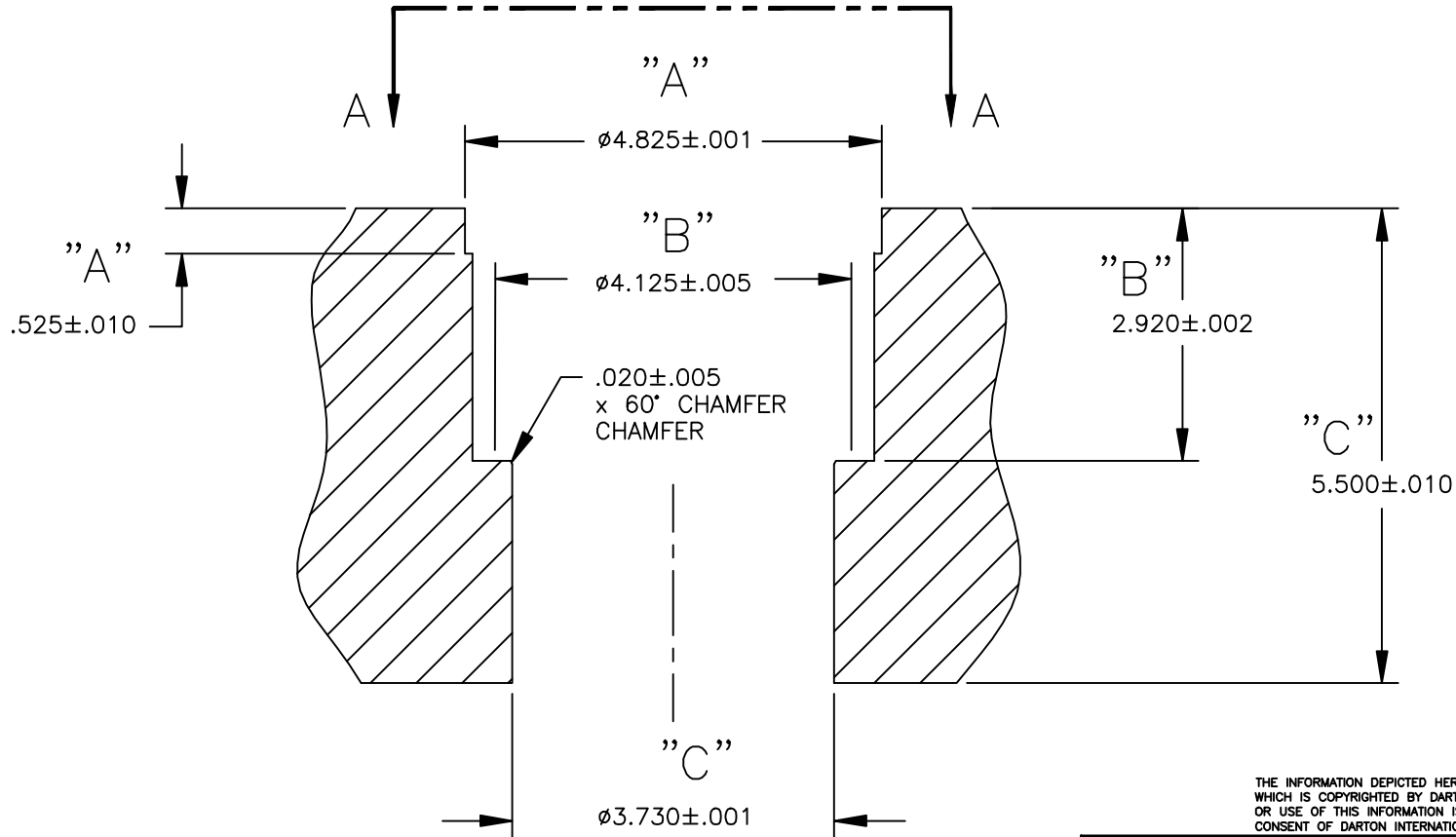
DR. BY:	CAD DEPT	 Darton International, Inc. Carlsbad, CA USA (800) 713-2786 (760) 603-9895 FAX (760) 603-9629 WWW.DARTON-INTERNATIONAL.COM		
DATE:	5/6/03			
CHK'D BY:		TITLE		
MATERIAL:		BLOCK SPECIFICATION - FORD 2.3 DURA TECH CYLS #1,2,&3		
HARDNESS:		SIZE	DWG NO.	REV
		A	700-100	-
		SCALE	SHEET	
		1/2	1 OF 2	

NOTE:


1. PRIOR TO BORING FOR SLEEVE INSTALLATION, BORE EXISTING SLEEVE TO FINISH BORE DIMENSION ± 0.010 STOPPING AT MAIN BEARING WEB.
2. BORE CENTER - 96MM
3. DECK SURFACE AFTER SLEEVE INSTALLATION TO GASKET Ra SPEC.

REVISIONS

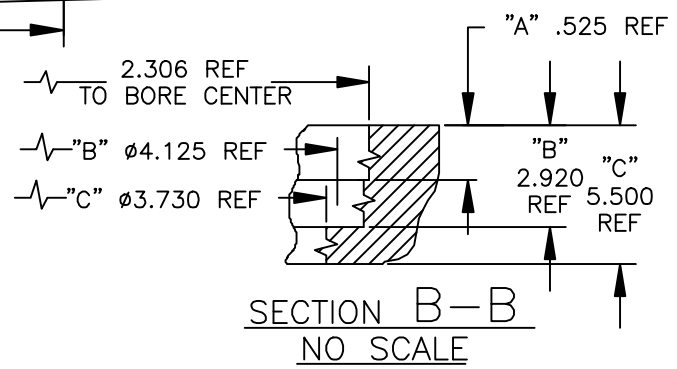
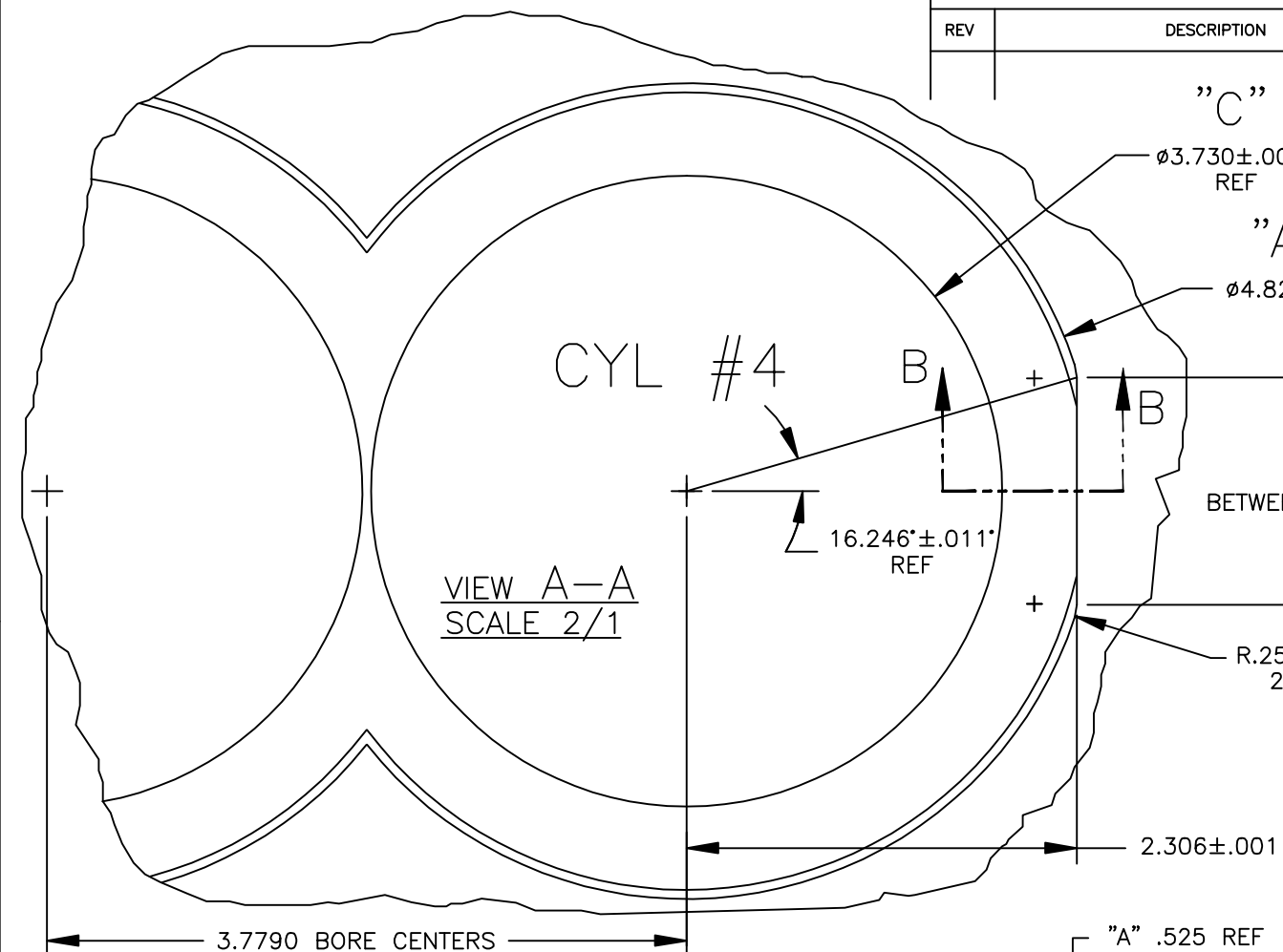
REV	DESCRIPTION	DATE	APPROVAL




THE INFORMATION DEPICTED HEREIN IS PROPRIETARY DESIGN INFORMATION WHICH IS COPYRIGHTED BY DARTON INTERNATIONAL, INC. NO DUPLICATION OR USE OF THIS INFORMATION IS PERMITTED WITHOUT EXPRESS WRITTEN CONSENT OF DARTON INTERNATIONAL, INC.

DR. BY:	CAD DEPT	 Darton International, Inc. Carlsbad, CA USA (800) 713-2786 (760) 603-9895 FAX (760) 603-9629 WWW.DARTON-INTERNATIONAL.COM		
DATE:	5/6/03			
CHK'D BY:		TITLE		
MATERIAL:		BLOCK SPECIFICATION - FORD 2.3 DURA TECH CYLS #1,2,&3		
HARDNESS:		SIZE	DWG NO.	REV
		A	700-100	-
		SCALE	SHEET	
		1/2	1 OF 2	

REVISIONS			
REV	DESCRIPTION	DATE	APPROVAL
	"C"		



THE INFORMATION DEPICTED HEREIN IS PROPRIETARY DESIGN INFORMATION WHICH IS COPYRIGHTED BY DARTON INTERNATIONAL, INC. NO DUPLICATION OR USE OF THIS INFORMATION IS PERMITTED WITHOUT EXPRESS WRITTEN CONSENT OF DARTON INTERNATIONAL, INC.

 Darton International, Inc. Carlsbad, CA USA (800) 713-2786 (760) 603-9895 FAX (760) 603-9629 WWW.DARTON-INTERNATIONAL.COM		
TITLE BLOCK SPECIFICATION FORD 2.3 DURA TECH CYL #4		
SIZE A	DWG NO. 700-100	REV -
SCALE 1/2	SHEET 2 OF 2	