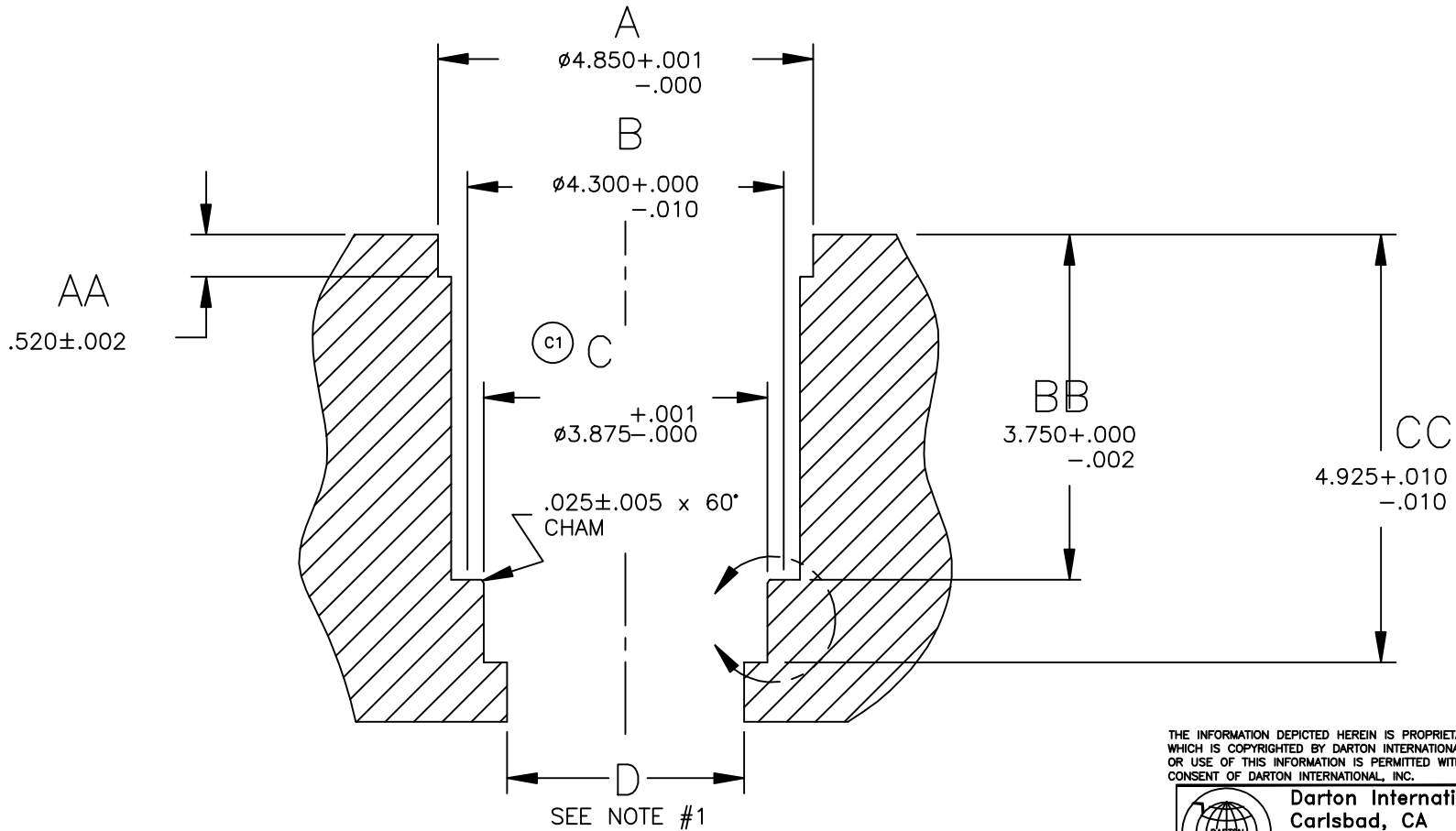


NOTE:

1. BORE THRU TO MAIN WEB AT FINISH
BORE DIA +.010

REVISIONS

REV	DESCRIPTION	DATE	APPROVAL



THE INFORMATION DEPICTED HEREIN IS PROPRIETARY DESIGN INFORMATION WHICH IS COPYRIGHTED BY DARTON INTERNATIONAL, INC. NO DUPLICATION OR USE OF THIS INFORMATION IS PERMITTED WITHOUT EXPRESS WRITTEN CONSENT OF DARTON INTERNATIONAL, INC.

 Darton International, Inc. Carlsbad, CA USA (800) 713-2786 (760) 603-9895 FAX (760) 603-9629 WWW.DARTON-INTERNATIONAL.COM		
TITLE HONDA M.I.D. NSX 3.0L/3.2L 93-94mm		
SIZE A	DWG NO. 400-210	REV C
SCALE 1/2	SHEET 1 OF 1	