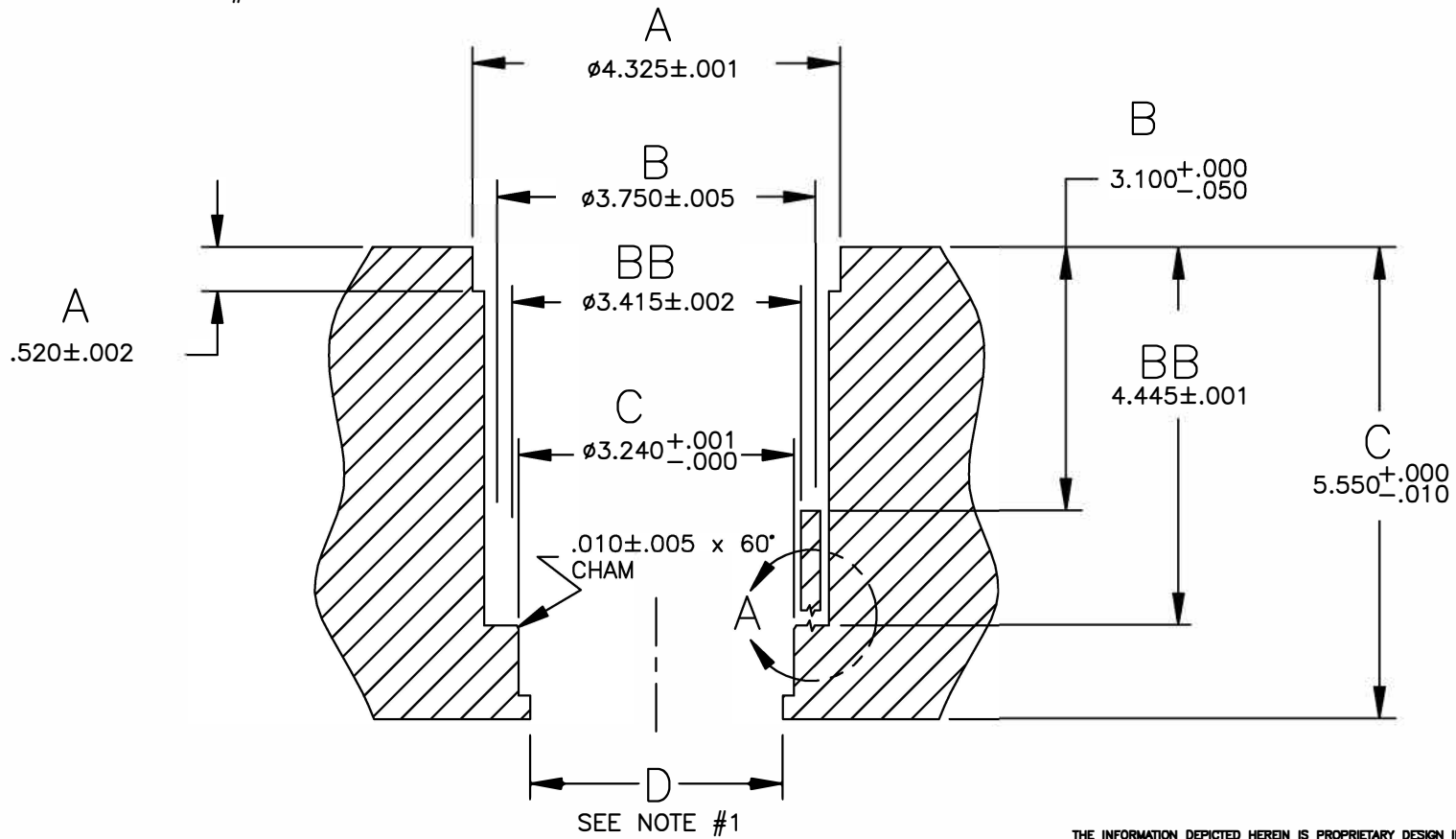



NOTE:

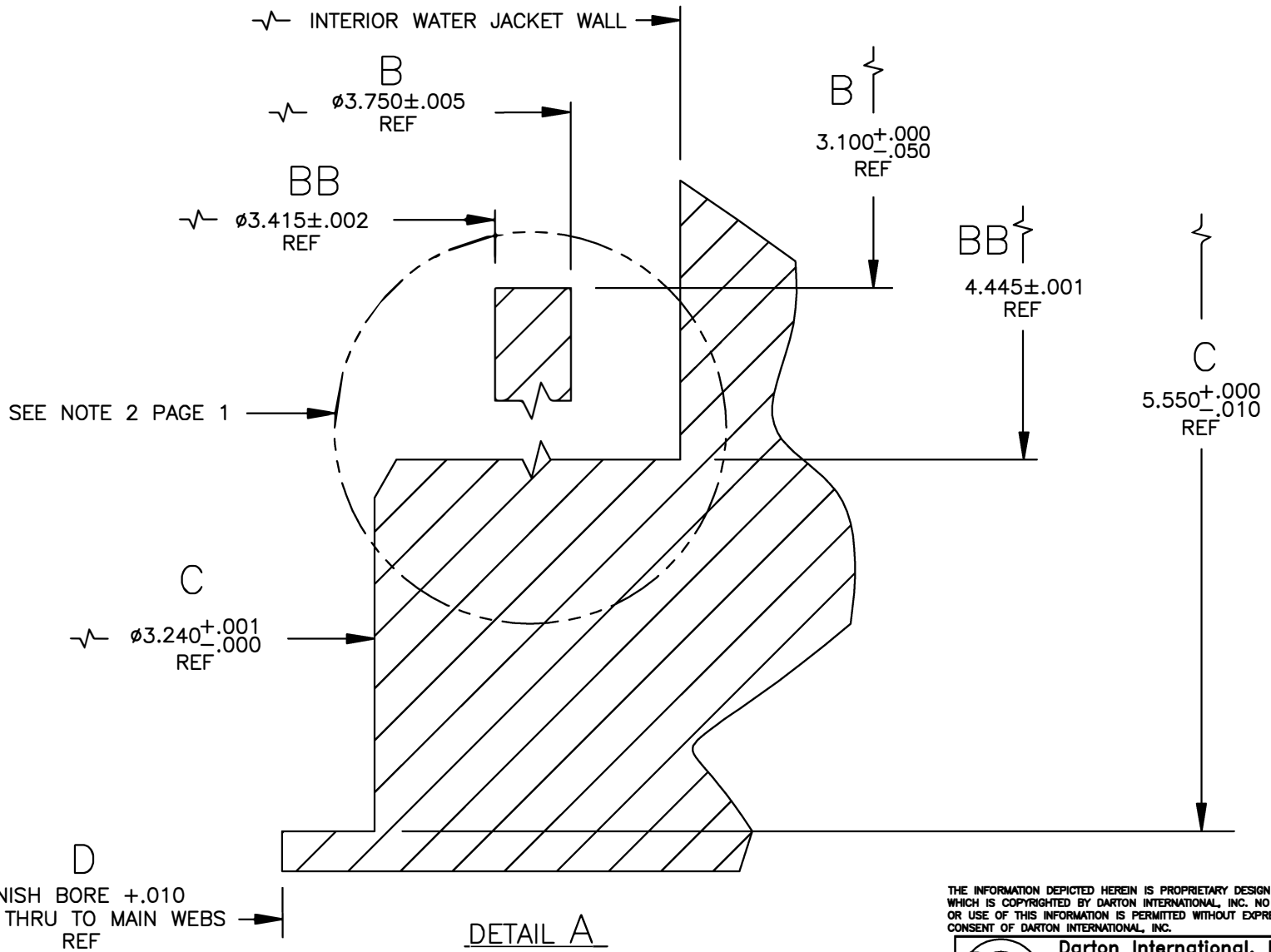
1. BORE THRU TO MAIN WEB AT FINISH
BORE DIA +.010
2. ON #1 CYL ONLY REMOVE REMAINING 320° ALUM WALL
DOWN TO 4.445 BY MILLING OR HAND GRINDING.
THIS WILL ELIMINATE ALL ALUM. WALL THAT WOULD
FORM A GAP BETWEEN SLEEVE AND WATER JACKET.
REFER TO PHOTO #6162 IN INSTALLATION MANUAL.

REVISIONS			
REV	DESCRIPTION	DATE	APPROVAL




THE INFORMATION DEPICTED HEREIN IS PROPRIETARY DESIGN INFORMATION WHICH IS COPYRIGHTED BY DARTON INTERNATIONAL, INC. NO DUPLICATION OR USE OF THIS INFORMATION IS PERMITTED WITHOUT EXPRESS WRITTEN CONSENT OF DARTON INTERNATIONAL, INC.

DR. BY:	CAD DEPT	 Darton International, Inc. Carlsbad, CA USA (800) 713-2786 (760) 603-9895 FAX (760) 603-9829 WWW.DARTON-INTERNATIONAL.COM		
DATE:	02/12/04			
CHK'D BY:		TITLE		
MATERIAL:		HONDA M.I.D. D-16 75-78mm CYLINDER #1		
HARDNESS:		SIZE	DWG NO.	REV
		A	400-100	A
		SCALE	SHEET 1 OF 4	
		1/2		



THE INFORMATION DEPICTED HEREIN IS PROPRIETARY DESIGN INFORMATION WHICH IS COPYRIGHTED BY DARTON INTERNATIONAL, INC. NO DUPLICATION OR USE OF THIS INFORMATION IS PERMITTED WITHOUT EXPRESS WRITTEN CONSENT OF DARTON INTERNATIONAL, INC.

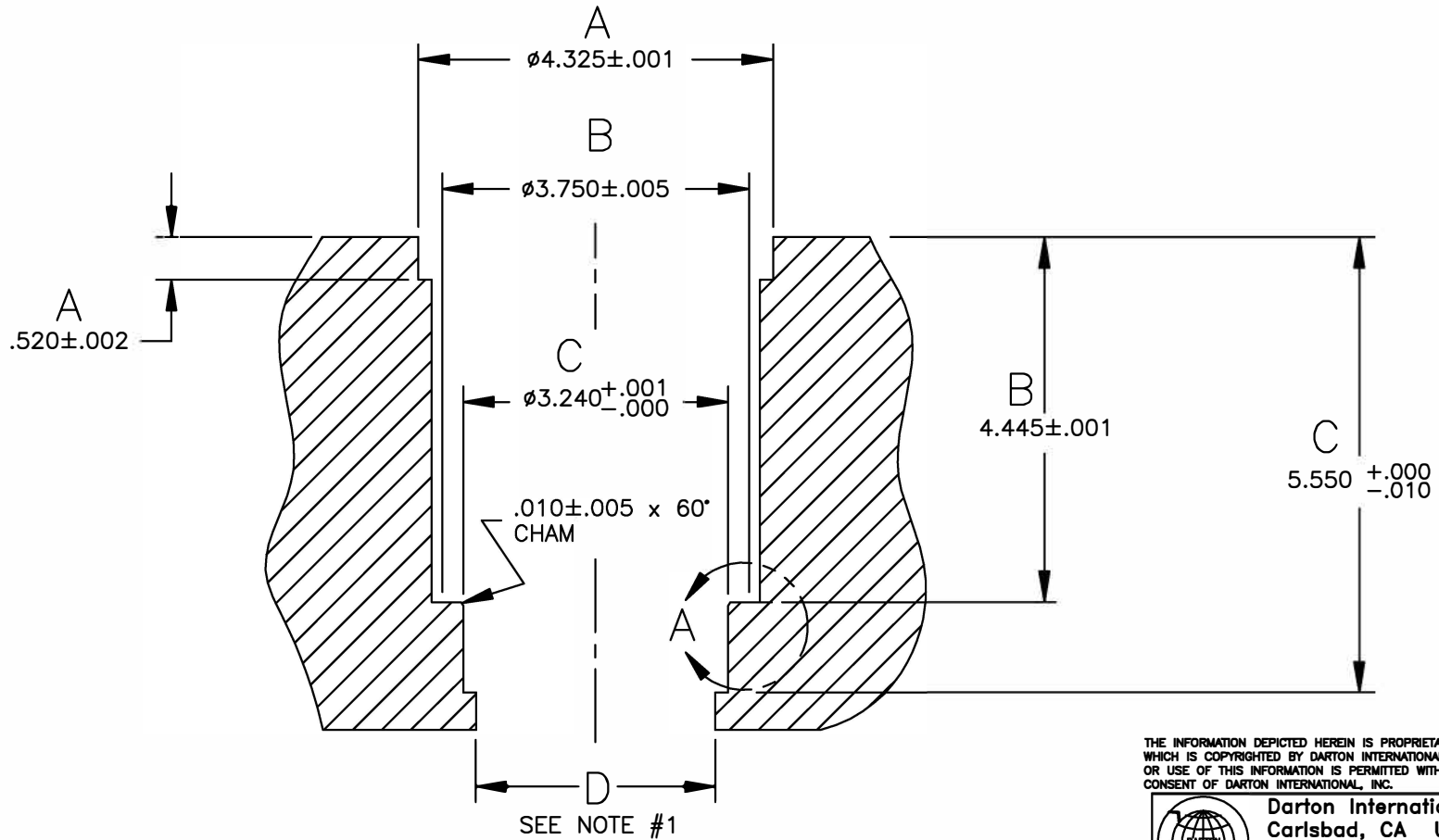
 Darton International, Inc. Carlsbad, CA USA (800) 713-2786 (760) 603-9895 FAX (760) 603-9829 WWW.DARTON-INTERNATIONAL.COM		
TITLE HONDA M.I.D. D-16 75-78mm CYLINDER #1		
SIZE A	DWG NO. 400-100	REV A
SCALE 1/2	SHEET 2 OF 4	

NOTE:

- BORE THRU TO MAIN WEB AT FINISH
BORE DIA +.010

REVISIONS

REV	DESCRIPTION	DATE	APPROVAL



THE INFORMATION DEPICTED HEREIN IS PROPRIETARY DESIGN INFORMATION WHICH IS COPYRIGHTED BY DARTON INTERNATIONAL, INC. NO DUPLICATION OR USE OF THIS INFORMATION IS PERMITTED WITHOUT EXPRESS WRITTEN CONSENT OF DARTON INTERNATIONAL, INC.



Darton International, Inc.
 Carlsbad, CA USA
 (800) 713-2786 (760) 603-9895
 FAX (760) 603-9829
 WWW.DARTON-INTERNATIONAL.COM

TITLE HONDA M.I.D. D-16 75-78mm
 CYLINDERS #2-3-4

SIZE A	DWG NO. 400-100	REV A
SCALE 1/2	SHEET 3 OF 4	

INTERIOR WATER JACKET WALL

B
 $\phi 3.750 \pm .005$ REF

C
 $\phi 3.240 \begin{smallmatrix} +.001 \\ -.000 \end{smallmatrix}$ REF

B
 $4.445 \pm .001$ REF

C
 $5.550 \begin{smallmatrix} +.000 \\ -.010 \end{smallmatrix}$ REF

D
FINISH BORE $+0.010$
BORE THRU TO MAIN WEBS REF

DETAIL A
NO SCALE

THE INFORMATION DEPICTED HEREIN IS PROPRIETARY DESIGN INFORMATION WHICH IS COPYRIGHTED BY DARTON INTERNATIONAL, INC. NO DUPLICATION OR USE OF THIS INFORMATION IS PERMITTED WITHOUT EXPRESS WRITTEN CONSENT OF DARTON INTERNATIONAL, INC.



Darton International, Inc.
Carlsbad, CA USA
(800) 713-2786 (760) 603-9895
FAX (760) 603-9629
WWW.DARTON-INTERNATIONAL.COM

TITLE
HONDA M.I.D. D-16 75-78mm
CYLINDERS #2-3-4

SIZE A	DWG NO. 400-100	REV A
SCALE 1/2	SHEET 4 OF 4	