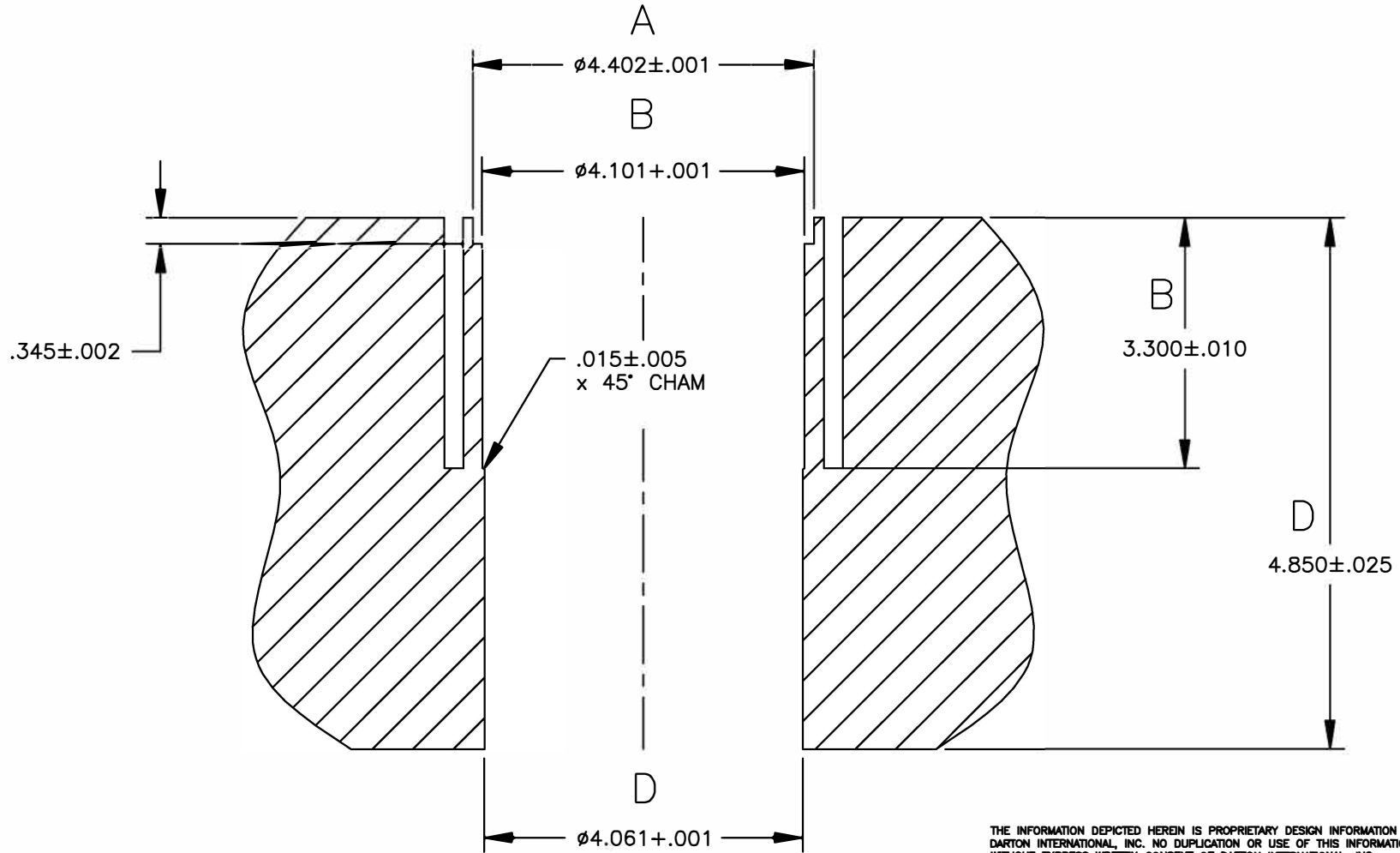


**NOTE:**


1. PRIOR TO BORING FOR SLEEVE INSTALLATION, BORE EXISTING SLEEVE TO FINISH BORE DIMENSION  $+0.020$  STOPPING AT MAIN BEARING WEB.

REVISIONS

| REV | DESCRIPTION | DATE | APPROVAL |
|-----|-------------|------|----------|
|     |             |      |          |



THE INFORMATION DEPICTED HEREIN IS PROPRIETARY DESIGN INFORMATION WHICH IS COPYRIGHTED DARTON INTERNATIONAL, INC. NO DUPLICATION OR USE OF THIS INFORMATION IS PERMITTED WITHOUT EXPRESS WRITTEN CONSENT OF DARTON INTERNATIONAL, INC.

|           |          |  |         |     |
|-----------|----------|--|---------|-----|
| DR. BY:   | CAD DEPT |  <b>Darton International, Inc.</b><br>Carlsbad, CA USA<br>(800) 713-2786 (760) 603-9895<br>FAX (760) 603-9829<br>WWW.DARTON-INTERNATIONAL.COM |         |     |
| DATE:     | 11/10/06 |  |         |     |
| CHKD BY:  |          | TITLE  |         |     |
| MATERIAL: |          | BLOCK SPECIFICATION -<br>SUBARU EJ-20 92-96mm  |         |     |
| HARDNESS: |          | SIZE   | DWG NO. | REV |
|           |          | A  | 300-029 | -   |
|           |          | SCALE  | SHEET   |     |
|           |          | NONE   | 1 OF 1  |     |