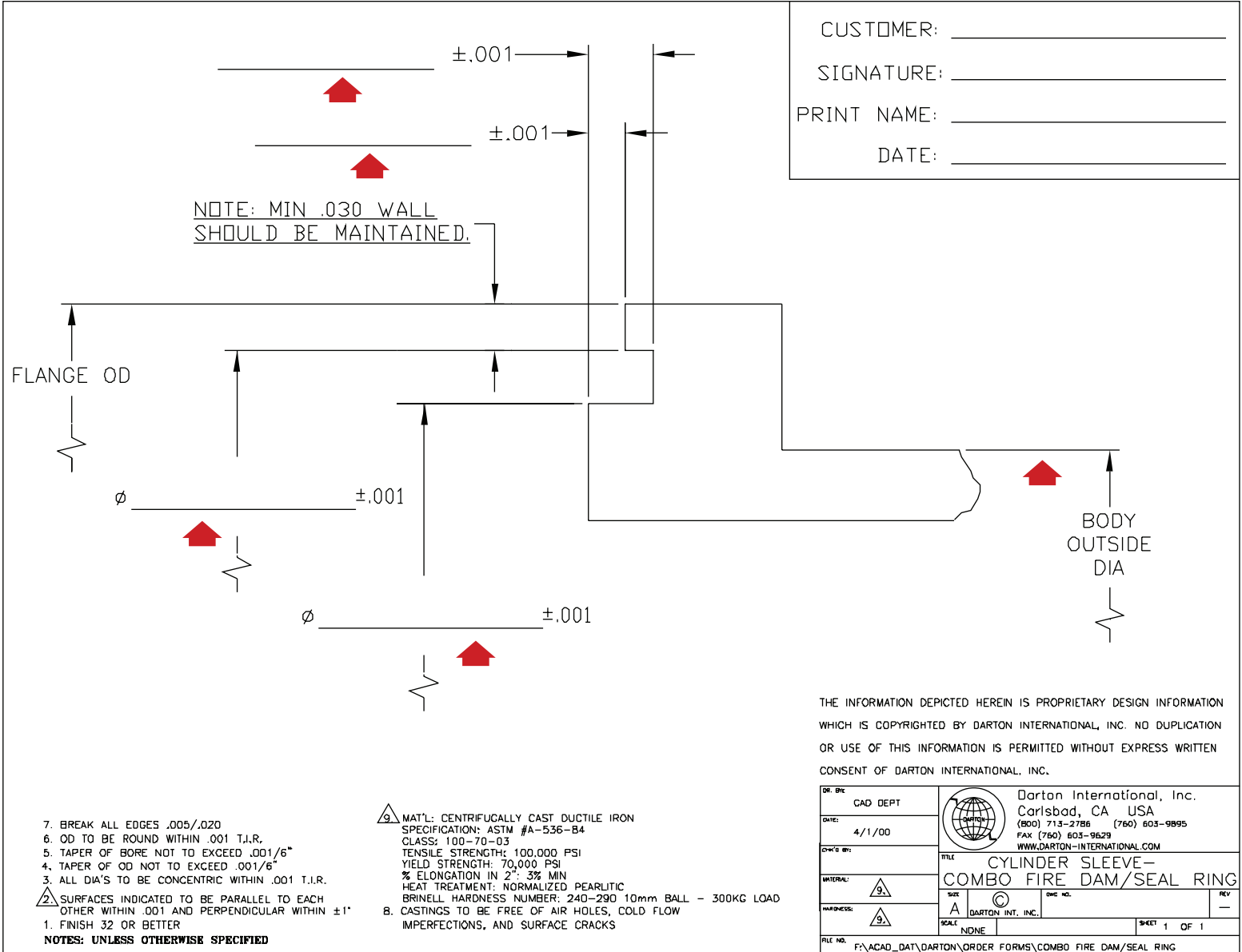


COMBO FIRE DAM/SEAL RING



To complete this form please do the following:

1. Complete the value fields to the left. Move from field to field by pressing the "tab" key.
2. Fill in your contact information below.
3. Print completed form.
3. Sign, date and fax to Darton at (760) 603-9629

NAME:

COMPANY:

PHONE:

FAX:

E-MAIL: